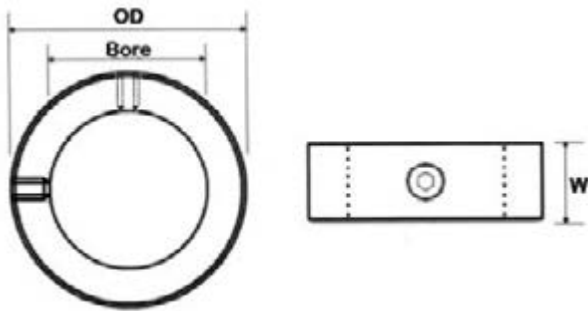


Set screw collars are most effective when used on a shaft made of a material which is softer than the set screw.  
**Steel - Cold Drawn Bar**



## Metric Shaft Collars

Part No.	Bore	O.D.	W	Screw Size	Approx Kg
FSC-6	6.0	12.0	8.0	M4*4	0.01
FSC-8	8.0	12.0	8.0	M4*4	0.01
FSC-10	10.0	20.0	10.0	M6*6	0.02
FSC-12	12.0	22.0	12.0	M6*6	0.03
FSC-14	14.0	22.0	12.0	M6*6	0.03
FSC-16	16.0	28.0	12.0	M6*6	0.04
FSC-20	20.0	32.0	14.0	M6*6	0.05
FSC-22	22.0	36.0	14.0	M6*6	0.07
FSC-25	25.0	40.0	16.0	M6*6	0.10
FSC-28	28.0	45.0	16.0	M8*8	0.11
FSC-30	30.0	45.0	16.0	M8*8	0.15
FSC-32	32.0	50.0	16.0	M8*8	0.16
FSC-35	35.0	56.0	16.0	M8*8	0.18
FSC-38	38.0	56.0	16.0	M8*8	0.21
FSC-40	40.0	63.0	18.0	M10*12	0.30
FSC-45	45.0	70.0	18.0	M10*12	0.35
FSC-50	50.0	80.0	18.0	M10*12	0.40

Bore Tolerances	
Bore	Tolerances
All	+0.01mm
	0.05mm
Width Tolerance	
All	+0.08
	-0.25

## Imperial Shaft Collars

Part No.	Bore	O.D.	W	Screw Size	Approx Kg
FSC-1/4	0.250	0.500	0.281	M4*4	0.01
FSC-5/16	0.312	0.625	0.308	M4*4	0.01
FSC-3/8	0.375	0.750	0.375	M6*5	0.01
FSC-1/2	0.500	1.000	0.438	M6*5	0.03
FSC-5/8	0.625	1.125	0.500	M6*6	0.04
FSC-3/4	0.750	1.250	0.563	M6*6	0.05
FSC-7/8	0.875	1.500	0.563	M6*6	0.07
FSC-1	1.000	1.625	0.625	M6*6	0.10
FSC-1-1/8	1.125	1.750	0.625	M8*6	0.11
FSC-1-1/4	1.250	2.000	0.688	M8*8	0.16
FSC-1-3/8	1.375	2.125	0.750	M8*8	0.18
FSC-1-7/16	1.437	2.250	0.750	M8*8	0.20
FSC-1-1/2	1.500	2.250	0.750	M8*8	0.21
FSC-1-5/8	1.625	2.500	0.813	M8*8	0.29
FSC-1-3/4	1.750	2.750	0.875	M10*12	0.32
FSC-1-7/8	1.875	2.750	0.875	M10*12	0.35
FSC-2	2.000	3.000	0.875	M10*12	0.45

Bore Tolerances	
Bore	Tolerances
Up to 1"	+0.0005"
	+0.002"
1 1/8" to 2"	+0.0005
	-0.003

Width Tolerance	
All	Tolerances
All	+0.003"
	-0.010"