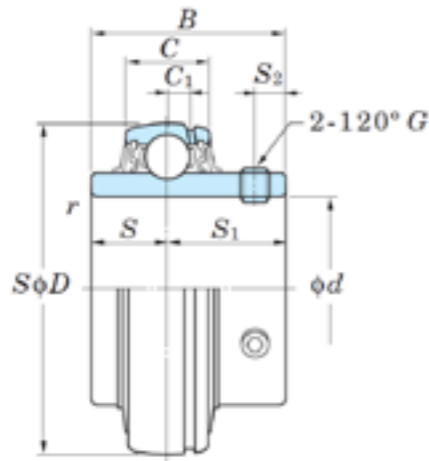


UC200 Series



UC

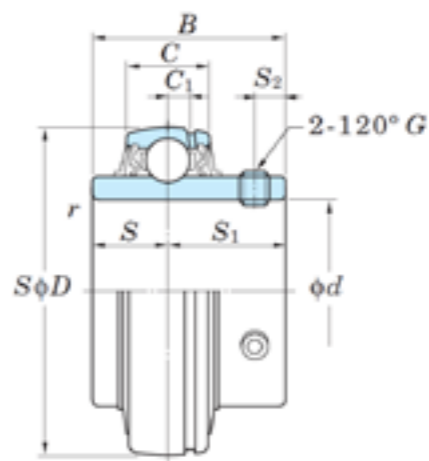


Finer Power Transmissions P/L | www.finerpt.com



Finer Power Transmissions P/L | www.finerpt.com

UC200 Series



UC

Table with columns: Shaft Dia (mm, inch), Dimensions (D, B, C, r), Basic Load ratings (Cr, COr), Factor (f0), Bearing no. (Standard), Dimensions (C1, S, S1, S2), Set Screw Brg. Bore (G), Mass kg.

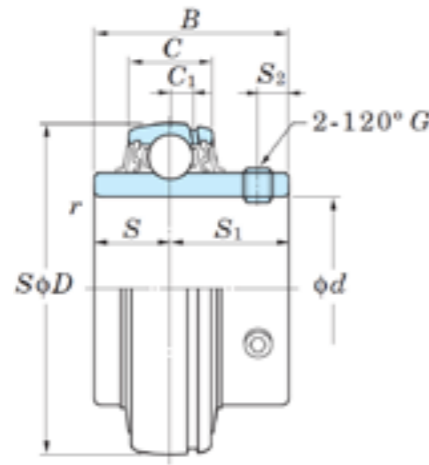
BOOK 7: PREMIUM BEARINGS

BOOK 7: BEARINGS - KOYO

Z.2 PREMIUM FYH BEARINGS

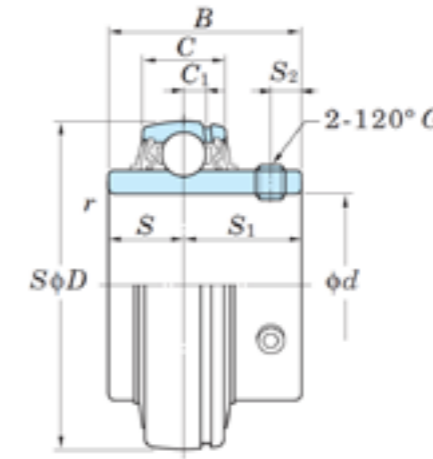
Z.2 PREMIUM FYH BEARINGS

UC200 Series



UC

UC200 Series



UC

Shaft Dia		Dimensions								Basic Load ratingskN		Factor	Bearing no.	Dimensions								Set Screw Brg. Bore		Mass kg
mm	inch	D		B		C		r (min.)		Cr	CO <sub>r</sub>	f <sub>0</sub>	Standard	C1		S		S1		S2		G		
d		mm	inch	mm	inch	mm	inch	mm	inch					mm	inch	mm	inch	mm	inch	mm	inch	mm	inch	
	2 11/16	125	4.921	74.6	2.937	30	1.1881	1.5	0.059	62.2	44.1	14.5	UC214-43	9	0.354	30.2	1.189	44.4	1.748	12	0.472	-	1/2-20	2.06
	2 3/4	125	4.921	74.6	2.937	30	1.181	1.5	0.059	62.2	44.1	14.5	UC214-44	9	0.354	30.2	1.189	44.4	1.748	12	0.472	-	1/2-20UNF	2.06
70		125	4.921	74.6	2.937	30	1.181	1.5	0.059	62.2	44.1	14.5	UC214	9	0.354	30.2	1.189	44.4	1.748	12	0.472	M12x1.5	-	2.05
	2 15/16	130	5.118	77.8	3.063	30	1.181	1.5	0.059	67.4	48.3	14.5	UC215-47	9	0.354	33.3	1.311	44.5	1.752	12	0.472	-	1/2-20UNF	2.12
	3	130	5.118	77.8	3.063	32	1.26	1.5	0.059	67.4	48.3	14.5	UC215-48	9	0.354	33.3	1.311	44.5	1.752	12	0.472	-	1/2-20UNF	2.12
75		130	5.118	77.8	3.063	32	1.26	1.5	0.059	67.4	48.3	14.5	UC215	9	0.354	33.3	1.311	44.5	1.752	12	0.472	M12x1.5	-	2.21
	3 1/8	140	5.512	82.6	3.252	33	1.299	2	0.079	72.7	53	14.6	UC216-50	9	0.354	33.3	1.311	49.3	1.941	14	0.551	-	1/2-20UNF	2.84
80		140	5.512	82.6	3.252	33	1.299	2	0.079	72.7	53	14.6	UC216	9	0.354	33.3	1.311	49.3	1.941	14	0.551	M12x1.5	-	2.79
	3 1/4	150	5.906	85.7	3.374	35	1.378	2	0.079	84	61.9	14.5	UC217-52	10	0.394	34.1	1.343	51.6	2.031	14	0.551	-	1/2-20UNF	3.66
85		150	5.906	85.7	3.374	35	1.378	2	0.079	84	61.9	14.5	UC217	10	0.394	34.1	1.343	51.6	2.031	14	0.551	M12x1.5	-	3.45
	3 1/2	160	6.299	96	3.78	38	1.496	2	0.079	96.1	71.5	14.5	UC218-56	11	0.433	39.7	1.563	56.3	2.217	15	0.591	-	1/2-20UNF	4.46
90		160	6.299	96	3.78	38	1.496	2	0.079	96.1	71.5	14.5	UC218	11	0.433	39.7	1.563	56.3	2.217	15	0.591	M12x1.5	-	4.35