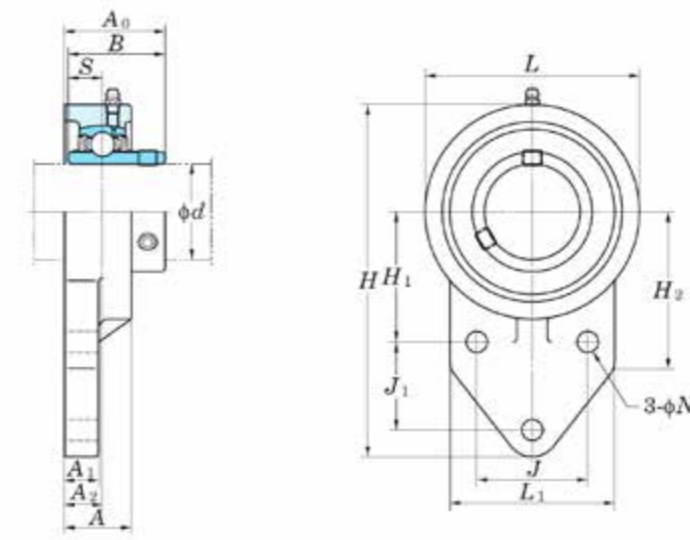
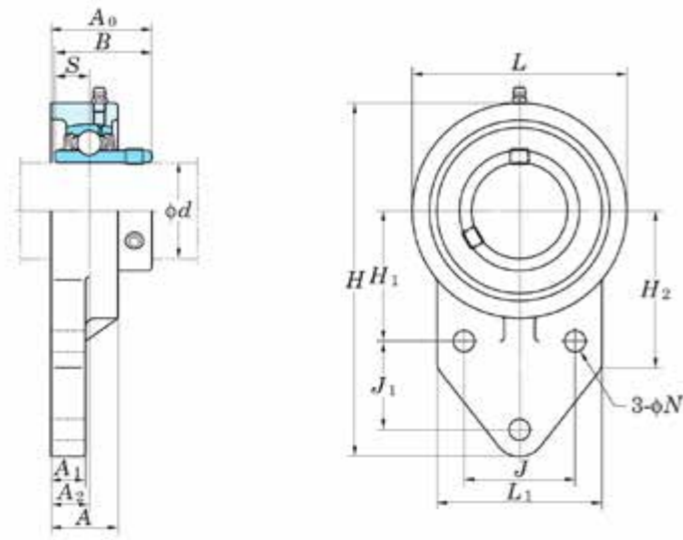


FB200 Series

FB200 Series



Housing Number	Dimensions														Dimensions										Bolt Size					
	H		L		A		J		J1		N		H1		H2		L1		A1		A2		A0				B		S	
	mm	inch	mm	inch	mm	inch	mm	inch	mm	inch	mm	inch	mm	inch	mm	inch	mm	inch	mm	inch	mm	inch	mm	inch	mm	inch	mm	inch	mm	inch
FB204	110	4.344	62	2.438	24.5	0.938	32	1.266	27	1.063	9.5	0.375	42	1.656	52	2.063	52	2.063	13	0.5	13.5	0.531	31.8	1.25	31	1.22	12.7	0.5	M8	0.313
FB205	116	4.563	68	2.688	27	1.063	34	1.344	27	1.063	9.5	0.375	45	1.766	52	2.063	56	2.219	13	0.5	15	0.594	34.8	1.375	34.1	1.343	14.3	0.563	M8	0.313
FB206	130	5.125	78	3.063	30	1.188	40	1.578	29	1.141	9.5	0.375	50	1.969	55	2.156	65	2.563	13	0.5	17	0.672	39.2	1.531	38.1	1.5	15.9	0.626	M8	0.313
FB207	144	5.656	90	3.531	33.5	1.313	46	1.813	32	1.266	9.5	0.375	55	2.172	62	2.438	70	2.75	15	0.594	19	0.75	44.4	1.75	42.9	1.689	17.5	0.689	M8	0.313
FB208	164	6.469	100	3.938	35	1.75	50	1.969	41	1.609	11	0.438	60	2.359	72	2.844	78	3.063	16	0.625	20	0.781	50.2	1.969	49.2	1.937	19	0.748	M10	0.375
FB209	174	6.844	106	4.188	35.5	1.375	54	2.125	43	1.688	11	0.438	65	2.563	76	3	80	3.156	18	0.719	20	0.781	50.2	1.969	49.2	1.937	19	0.748	M10	0.375
FB210	184	7.25	112	4.406	36	1.438	58	2.281	46	1.813	11	0.438	68	2.672	82	3.219	86	3.375	18	0.719	20	0.781	52.6	2.063	51.6	2.031	19	0.748	M10	0.375