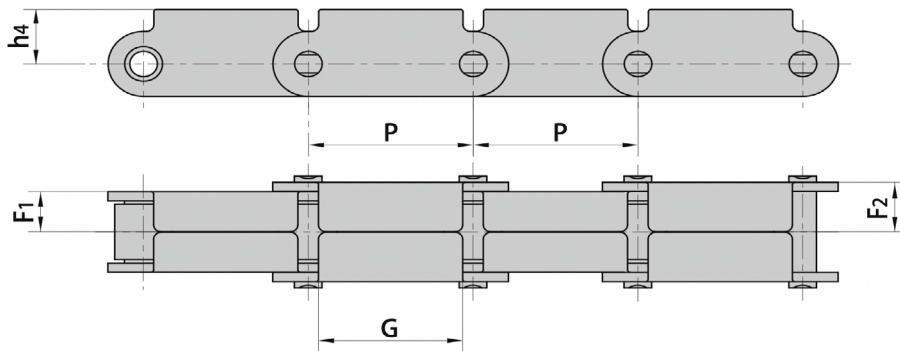


Chain	Pitch mm	Pitch inch	b1	Lr	Lc	h2	d1	J	K	L	b2	App. Kg/ft
H78	66.26	2.609	28.57	80.94	84.12	28.57	22.22	39.67	41.27	41.27	47.62	1.91

Roof Top Chain



Chain	Pitch	F1	F2	G	h4
81XRT	66.27	17.5	21.8	56.0	25.4

Combination Chain

Chain	Pitch	A	C	D	E	F	H	T	X	App. Kg/ft	Maximum working load (Aprox. kg)
C55	41.43	17.45	52.37	9.53	49.99	19.05	18.24	4.75	31.75	0.91	635.09
C188	66.27	23.80	68.25	12.70	63.50	28.58	22.23	6.35	39.67	1.58	1067
C102B	101.60	50.80	115.87	15.88	111.13	38.10	24.59	9.53	73.81	2.90	2449.40
C131	78.105	28.448	95.25	-	-	-	-	-	-	-	1759.94

