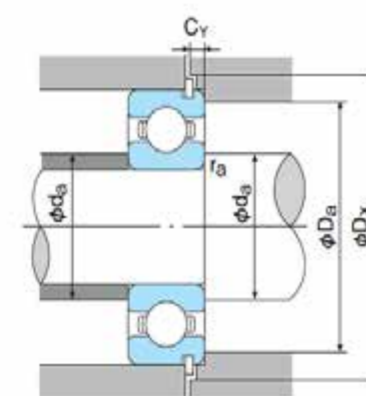
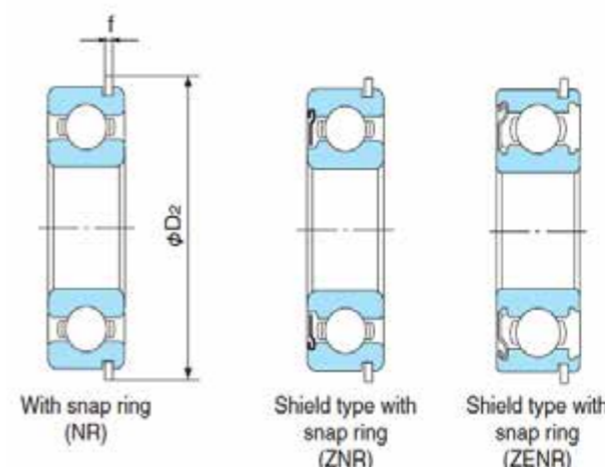
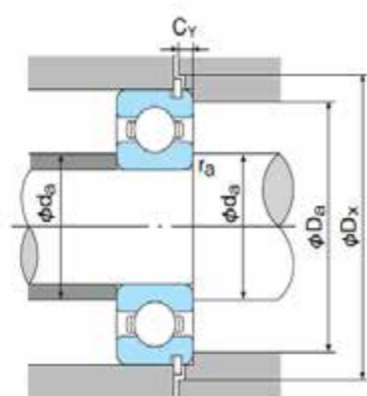
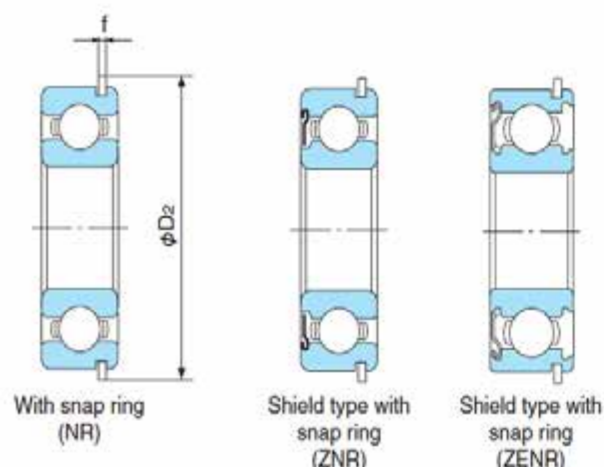


Boundary dimensions (mm)				Bearing No				Basic dynamic load rating Cr (N)	Basic static load rating Cor (N)	Factor fo	Limiting speed (min <sup>-1</sup> )			Abutment and fillet dimensions (mm)			Mass (kg)	Bearing No
d	D	B	r (min)	Open type	Shield type	Contact seal type	Non-contact seal type*				Grease lubrication		Oil lubrication	da (min)	Da (max)	ra (max)		
											Open type, ZE, ZZE, NKE, 2NKE	NSE, 2NSE	Open type, ZE					
10	35	11	0.6	6300	6300ZZE	6300-2NSE	-	8100	3450	11.3	23000	17000	27000	15	30	0.6	0.053	6300
12	37	12	1	6301	6301ZZE	6301-2NSE	-	9750	4250	11.2	20000	16000	24000	18	31	1.0	0.060	6301
15	42	13	1	6302	6302ZZE	6302-2NSE	-	11400	5400	12.3	17000	13000	21000	21	36	1.0	0.082	6302
17	47	14	1	6303	6303ZZE	6303-2NSE	-	13600	6550	12.3	16000	11000	19000	23	41	1.0	0.115	6303
20	52	15	1.1	6304	6304ZZE	6304-2NSE	6304-2NKE	15900	7900	12.4	14000	10000	17000	27	45	1.1	0.144	6304
25	62	17	1.1	6305	6305ZZE	6305-2NSE	6305-2NKE	23600	12100	12.2	12000	8100	14000	32	55	1	0.232	6305
30	72	19	1.1	6306	6306ZZE	6306-2NSE	6306-2NKE	26700	15000	13.2	10000	6700	12000	37	65	1	0.346	6306
35	80	21	1.5	6307	6307ZZE	6307-2NSE	6307-2NKE	33500	19200	13.2	8800	6000	10000	44	71	1.5	0.457	6307
40	90	23	1.5	6308	6308ZZE	6308-2NSE	6308-2NKE	40500	24100	13.2	7800	5300	9200	49	81	1.5	0.633	6308
45	100	25	1.5	6309	6309ZZE	6309-2NSE	6309-2NKE	53000	32000	13.1	7000	4800	8200	54	91	1.5	0.833	6309
50	110	27	2	6310	6310ZZE	6310-2NSE	6310-2NKE	62000	38000	13.1	6400	4300	7500	60	100	2	1.07	6310
55	120	29	2	6311	6311ZZE	6311-2NSE	6311-2NKE	71500	44500	13.1	5800	4000	6800	65	110	2	1.37	6311
60	130	31	2.1	6312	6312ZZE	6312-2NSE	6312-2NKE	82000	52000	13.2	5400	3600	6300	72	118	2	1.7	6312
65	140	33	2.1	6313	6313ZZE	6313-2NSE	6313-2NKE	92500	59500	13.2	4900	3400	6000	77	128	2	2.08	6313
70	150	35	2.1	6314	6314ZZE	6314-2NSE	6314-2NKE	104000	68000	13.2	4600	3200	5400	82	138	2	2.52	6314
75	160	37	2.1	6315	6315ZZE	6315-2NSE	6315-2NKE	113000	77000	13.2	4300	2900	5000	87	148	2	3.02	6315
80	170	39	2.1	6316	6316ZZ	6316-2NSL	6316NK	123000	86500	13.2	4000	2800	4800	92	158	2	3.59	6316
85	180	41	3	6317	6317ZZ	6317-2NS	6317NK	133000	96500	13.3	3800	2600	4500	99	166	2.5	4.23	6317
90	190	43	3	6318	6318ZZ	6318-2NS	6318NK	143000	107000	13.3	3600	2400	4300	104	176	2.5	4.91	6318
95	200	45	3	6319	6319ZZ	6319-2NS	6319NK	153000	118000	13.3	3300	2400	3900	109	186	2.5	5.67	6319
100	180	34	2.1	6320	6320ZZ	6320-2NS	6320NK	173000	141000	13.2	3200	2200	3700	114	201	2.5	7	6320
110	240	50	3	6322	6322ZZ	-	-	205000	179000	13.1	2900	-	3400	124	226	2.5	9.54	6322

\* Not a stocked range although available on request.



Boundary dimensions (mm)					Dimensions of snap ring groove and snap ring (mm)					Bearing No.			Basic dynamic load rating Cr (N)	Basic static load rating Cor (N)	Factor fo	Limiting speed (min-1)		Abutment and fillet dimensions (mm)		Mass (kg)	Bearing No
d	D	B	r (min)	r1 (min)	D1 (max)	a (max)	b (min)	D2 (max)	f (max)	Contact seal type	Open type*	Shield type				Grease lubrication	Oil lubrication	da (min)	Da (max)		
15	42	13	1	0.5	39.75	2.06	1.35	46.3	1.12	6302-2NSENR	6302NR	6302ZENR	11400	5400	12.3	17000	21000	21	36	0.082	6302
17	47	14	1	0.5	44.6	2.46	1.35	52.7	1.12	6303-2NSENR	6303NR	6303ZENR	13600	6550	12.3	16000	19000	23	41	0.115	6303
20	52	15	1.1	0.5	49.73	2.46	1.35	57.9	1.12	6304-2NSENR	6304NR	6304ZENR	15900	7900	12.4	14000	17000	27	45	0.144	6304
25	62	17	1.1	0.5	59.61	3.28	1.9	67.7	1.7	6305-2NSENR	6305NR	6305ZENR	23600	12100	12.2	12000	14000	32	55	0.232	6305
30	72	19	1.1	0.5	68.81	3.28	1.9	78.6	1.7	6306-2NSENR	6306NR	6306ZENR	26700	15000	13.2	10000	12000	37	65	0.346	6306
35	80	21	1.5	0.5	76.81	3.28	1.9	86.6	1.6	6307-2NSENR	6307NR	6307ZENR	33500	19100	13.2	8800	10000	44	71	0.457	6307
40	90	23	1.5	0.5	86.79	3.28	2.7	96.5	2.46	6308-2NSENR	6308NR	6308ZENR	40500	24100	13.2	7800	9200	49	81	0.633	6308
45	100	25	1.5	0.5	96.8	3.28	2.7	106.5	2.46	6309-2NSENR	6309NR	6309ZENR	53000	32000	13.1	7000	8200	54	91	0.833	6309
50	110	27	2	0.5	106.81	3.28	2.7	116.6	2.46	6310-2NSENR	6310NR	6310ZENR	62000	38100	13.1	6400	7500	60	100	1.07	6310
55	120	29	2	0.5	115.21	4.06	3.1	129.7	2.82	6311-2NSENR	6311NR	6311ZENR	71500	44500	13.1	5800	6800	65	110	1.37	6311
60	130	31	2.1	0.5	125.22	4.06	3.1	139.7	2.82	6312-2NSENR	6312NR	6312ZENR	82000	52000	13.2	5400	6300	72	118	1.7	6312
65	140	33	2.1	0.5	135.23	4.9	3.1	149.7	2.82	6313-2NSENR	6313NR	6313ZENR	92500	59500	13.2	4900	6000	77	128	2.08	6313

## Deep Groove Ball Bearings 62/22 & 63/32 Series and Specials

## Deep Groove Ball Bearings 62/22 & 63/32 Series and Specials

Boundary dimensions (mm)				Bearing No				Basic dynamic load rating Cr (N)	Basic static load rating Cor (N)	Factor fo	Limiting speed (min-1)			Abutment and fillet dimensions (mm)		Mass (kg)	Bearing No
d	D	B	r (min)	Open type	Shield type	Contact seal type	Non-contact seal type*				Grease lubrication	Oil lubrication	Open type, ZE	da (min)	Da (max)		
22	56	16	1.1	63/22	63/22ZZE	63/22-2NSE	63/22-2NKE	18400	9250	12.4	13000	9500	16000	29	49	0.176	63/22
28	58	16	1	62/28	62/28ZZE	62/28-2NSE	62/28-2NSE	17900	9750	13.1	12000	8200	14000	34	52	0.175	62/28
28	68	18	1.1	63/28	63/28ZZE	63/28-2NSE	63/28-2NSE	26800	14000	12.4	11000	7500	13000	35	61	0.287	63/28
32	65	17	1	62/32	62/32ZZE	62/32-2NSE	62/32-2NKE	22400	13100	13.6	11000	7100	12000	38	59	0.23	62/32
32	75	20	1.1	63/32	63/32ZZE	63/32-2NSE	63/32-2NKE	30000	16200	12.7	9500	6500	11000	39	68	0.382	63/32

\* Not a stocked range although available on request.