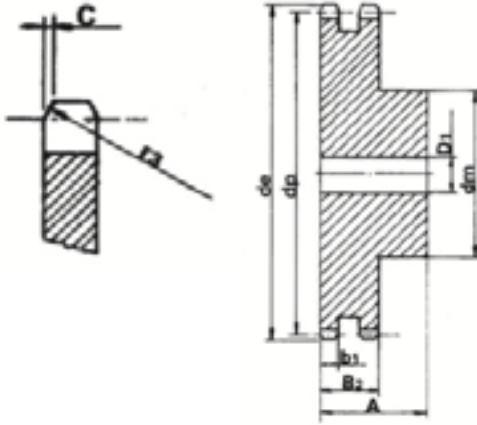


## 50-2 Sprocket



Teeth	de	dp	Duplex			
			dm	D1	A	App. Kg
13	73	66.32	49	14	40	
16	88	83.17	64	16	45	
18	98.3	91.42	74	16	45	
22	118	111.55	90	16	45	
24	128.3	121.62	100	16	45	
30	158.8	151.87	120	20	45	

Pinions	mm
Tooth Radius r3	17
Radius Width C	2
Tooth Width B1	9

Chain	mm
Pitch	15.9
Inside	9.52
Roller $\phi$	10.16