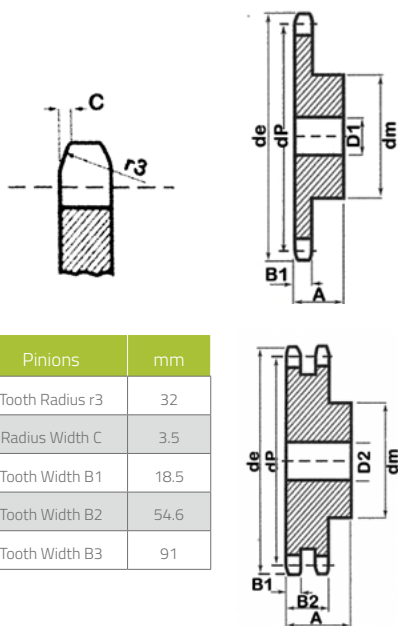


20B-1-2 Sprocket

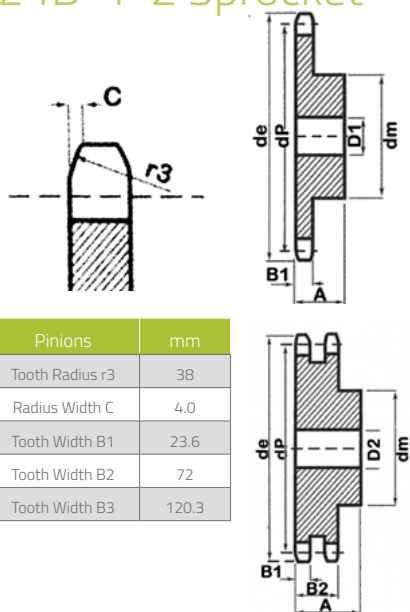


Pinions	mm
Tooth Radius r3	32
Radius Width C	3.5
Tooth Width B1	18.5
Tooth Width B2	54.6
Tooth Width B3	91

Chain	mm
Pitch	31.75
Inside	19.56
Roller ϕ	19.05

Teeth	de	dp	Simplex				Duplex			
			dm	D1	A	App.Kg	dm	D2	A	App.Kg
9	106.5	92.84	63	20	40	1.45	-	-	-	-
10	117	102.7	70	20	40	1.86	-	-	-	-
11	127	112.7	77	20	45	2.40	80	25	80	3.67
12	137	122.7	88	20	45	2.95	90	25	80	OA
13	147.5	132.7	98	20	45	3.00	100	25	80	5.53
14	157.6	142.7	108	20	45	3.40	110	25	80	6.62
15	167.6	152.7	118	20	45	4.31	120	25	80	7.76
16	177.7	162.8	120	25	50	4.63	120	30	80	OA
17	187.8	172.8	120	25	50	4.99	120	30	80	10.44
18	197.8	182.9	120	25	50	5.44	120	30	80	OA
19	207.9	192.9	120	25	50	5.9	120	30	80	12.92
20	217.9	203	120	25	50	6.35	120	30	80	OA
21	228	213	140	30	55	7.03	140	30	80	OA
22	238.1	223.1	140	30	55	7.71	140	30	80	OA
23	248.2	233.2	140	30	55	8.16	140	30	80	19.05
24	258.3	243.2	140	30	55	8.62	140	30	80	OA
25	268.4	253.3	140	30	55	9.07	140	30	80	21.77
26	278.4	263.4	150	30	55	9.53	150	30	80	OA
27	288.5	273.5	150	30	55	10.43	150	30	80	24.97
28	299	283.6	150	30	55	11.34	150	30	80	OA
29	308.8	293.6	150	30	55	OA	150	30	80	OA
30	319	303.8	150	30	55	12.02	150	30	80	OA

24B-1-2 Sprocket



Pinions	mm
Tooth Radius r3	38
Radius Width C	4.0
Tooth Width B1	23.6
Tooth Width B2	72
Tooth Width B3	120.3

Chain	mm
Pitch	38.1
Inside	25.4
Roller ϕ	25.4

Teeth	de	dp	Simplex				Duplex			
			dm	D1	A	App.Kg	dm	D2	A	App. Kg
9	125	111.4	70	25	95	2.02	-	-	-	-
10	137	123.3	80	25	95	2.61	-	-	-	-
11	149	135.2	90	25	100	3.77	90	25	100	6.50
12	161	147.2	102	25	100	4.77	102	25	100	OA
13	137	159.2	114	25	100	5.91	114	25	100	9.92
14	185	171.2	128	25	100	6.68	128	25	100	11.98
15	197	183.3	132	25	100	7.49	132	25	100	14.13
16	209	195.3	136	30	100	9.08	136	30	100	16.35
17	221	207.3	136	30	100	9.76	136	30	100	17.85
18	233	219.4	160	30	100	10.49	160	30	100	20.35
19	245.5	231.5	160	30	100	11.21	160	30	100	22.56
20	257.5	243.6	160	30	100	12.26	160	30	100	24.78
21	270.5	255.7	160	30	100	13.38	160	30	100	26.99
22	282.5	267.7	160	30	100	13.67	160	30	100	29.74
23	294.5	279.8	160	30	100	14.74	160	30	100	OA
24	307	292	160	30	100	OA	160	30	100	OA
25	319	304	160	30	100	16.38	160	30	100	OA
26	331	317	160	30	100	OA	160	30	100	OA
27	343	328	160	30	100	OA	160	30	100	OA
28	355	340	160	30	100	OA	160	30	100	OA
29	367	352	160	30	100	OA	160	30	100	OA
30	379	365	160	30	100	OA	160	30	100	OA