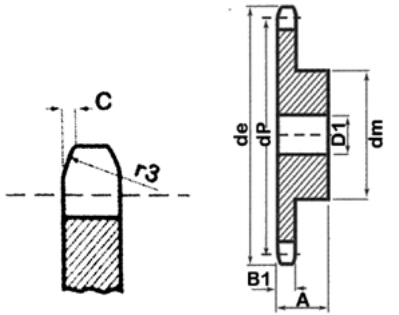
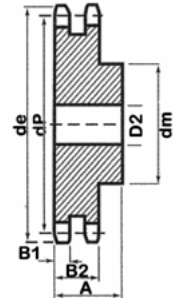


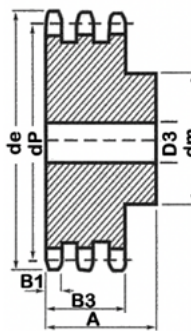
16B-1-2-3 Sprocket



| Pinions | mm |
|-----------------|------|
| Tooth Radius r3 | 26 |
| Radius Width C | 2.5 |
| Tooth Width B1 | 16.2 |
| Tooth Width B2 | 47.7 |
| Tooth Width B3 | 79.6 |



| Chain | mm |
|---------------|-------|
| Pitch | 25.4 |
| Inside | 17 |
| Roller ϕ | 15.88 |



| Teeth | de | dp | Simplex | | | | Duplex | | | | Triplex | | | | | |
|-------|-------|-------|---------|----|----|---------|--------|----|----|---------|---------|----|-----|---------|---|---|
| | | | dm | D1 | A | App. Kg | dm | D2 | A | App. Kg | dm | D3 | A | App. Kg | | |
| 8 | 77.9 | 66.37 | 42 | 16 | 35 | 0.95 | - | - | - | - | - | - | - | - | - | - |
| 9 | 85.8 | 74.27 | 50 | 16 | 35 | 1.20 | 50 | 20 | 65 | 0.60 | - | - | - | - | - | - |
| 10 | 93.8 | 82.19 | 55 | 16 | 35 | 1.35 | 56 | 20 | 65 | 0.83 | 56 | 20 | 95 | - | - | - |
| 11 | 101.7 | 90.14 | 61 | 16 | 40 | 1.45 | 64 | 20 | 70 | 1.82 | - | - | - | - | - | - |
| 12 | 109.7 | 98.14 | 69 | 16 | 40 | 1.82 | 72 | 20 | 70 | 2.36 | - | - | - | - | - | - |
| 13 | 117.7 | 106.1 | 78 | 16 | 40 | 1.94 | 80 | 20 | 70 | 1.95 | 80 | 25 | 100 | 4.13 | - | - |
| 14 | 125.7 | 114.2 | 84 | 16 | 40 | 2.09 | 88 | 20 | 70 | 3.5 | - | - | - | - | - | - |
| 15 | 133.7 | 122.2 | 92 | 16 | 40 | 2.59 | 96 | 20 | 70 | 4.18 | 96 | 25 | 100 | 5.54 | - | - |
| 16 | 141.8 | 130.2 | 100 | 20 | 45 | 3.00 | 104 | 25 | 70 | 5.22 | - | - | - | - | - | - |
| 17 | 149.8 | 138.2 | 100 | 20 | 45 | 3.18 | 112 | 25 | 70 | 5.99 | 112 | 25 | 100 | 8.07 | - | - |
| 18 | 157.8 | 146.3 | 100 | 20 | 45 | 3.77 | 120 | 25 | 70 | 6.81 | - | - | - | - | - | - |
| 19 | 165.9 | 154.4 | 100 | 20 | 45 | 3.86 | 128 | 25 | 70 | 7.71 | 128 | 25 | 100 | 10.89 | - | - |
| 20 | 173.9 | 162.4 | 100 | 20 | 45 | 4.09 | 130 | 25 | 70 | 8.26 | - | - | - | - | - | - |
| 21 | 182 | 170.4 | 110 | 20 | 50 | 4.54 | 130 | 25 | 70 | 8.85 | 130 | 25 | 100 | 13.61 | - | - |
| 22 | 190.1 | 178.5 | 110 | 20 | 50 | 5.00 | 130 | 25 | 70 | 9.53 | - | - | - | - | - | - |
| 23 | 198.1 | 186.5 | 110 | 20 | 50 | 5.08 | 130 | 25 | 70 | 10.43 | 130 | 25 | 100 | 14.97 | - | - |
| 24 | 206.2 | 194.6 | 110 | 20 | 50 | 5.54 | 130 | 25 | 70 | 11.44 | - | - | - | - | - | - |
| 25 | 214.2 | 202.7 | 110 | 20 | 50 | 5.76 | 130 | 25 | 70 | 12.47 | 130 | 25 | 100 | 17.70 | - | - |
| 26 | 222.3 | 210.7 | 120 | 20 | 50 | 7.03 | 130 | 25 | 70 | 13.62 | - | - | - | - | - | - |
| 27 | 230.4 | 218.8 | 120 | 20 | 50 | 7.53 | 130 | 25 | 70 | 14.75 | 130 | 30 | 100 | 21.57 | - | - |
| 28 | 238.4 | 226.9 | 120 | 20 | 50 | 7.58 | 130 | 25 | 70 | 15.89 | - | - | - | - | - | - |
| 29 | 246.5 | 234.9 | 120 | 20 | 50 | 7.94 | 130 | 25 | 70 | 17.02 | - | - | - | - | - | - |
| 30 | 254.6 | 243 | 120 | 20 | 50 | 8.26 | 130 | 25 | 70 | 18.16 | 130 | 30 | 100 | 26.33 | - | - |
| 31 | 262.6 | 251.1 | 120 | 25 | 50 | 8.62 | - | - | - | - | - | - | - | - | - | - |
| 32 | 270.7 | 259.1 | 120 | 25 | 50 | 8.98 | - | - | - | - | - | - | - | - | - | - |
| 33 | 278.8 | 267.2 | 120 | 25 | 50 | 9.33 | - | - | - | - | - | - | - | - | - | - |
| 34 | 286.9 | 275.3 | 120 | 25 | 50 | 9.69 | - | - | - | - | - | - | - | - | - | - |
| 35 | 294.9 | 283.4 | 120 | 25 | 50 | 10.05 | - | - | - | - | - | - | - | - | - | - |
| 36 | 303 | 291.4 | 120 | 25 | 50 | 10.41 | - | - | - | - | - | - | - | - | - | - |
| 37 | 311.1 | 299.5 | 120 | 25 | 50 | 10.78 | - | - | - | - | - | - | - | - | - | - |
| 38 | 319.2 | 307.6 | 120 | 25 | 50 | 11.12 | 140 | 25 | 70 | 29.60 | 140 | 30 | 100 | 41.45 | - | - |
| 39 | 327.2 | 315.7 | 120 | 25 | 50 | 11.48 | - | - | - | - | - | - | - | - | - | - |
| 40 | 335.3 | 323.4 | 120 | 25 | 50 | 11.83 | - | - | - | - | - | - | - | - | - | - |
| 45 | 377.9 | 364.1 | 125 | 30 | 70 | 13.62 | 150 | 40 | 75 | 34.35 | 160 | 45 | 100 | 45.00 | - | - |
| 57 | 474.9 | 461.1 | 125 | 30 | 70 | 22.16 | 170 | 40 | 90 | 38.18 | 165 | 45 | 100 | 51.35 | - | - |
| 76 | 628.4 | 614.7 | 140 | 35 | 80 | 39.24 | 175 | 40 | 95 | 68.11 | 200 | 45 | 110 | 77.11 | - | - |
| 95 | 782 | 768.2 | 140 | 40 | 80 | 57.12 | - | - | - | - | - | - | - | - | - | - |
| 114 | 935.6 | 921.8 | 140 | 30 | 80 | 75.00 | - | - | - | - | - | - | - | - | - | - |