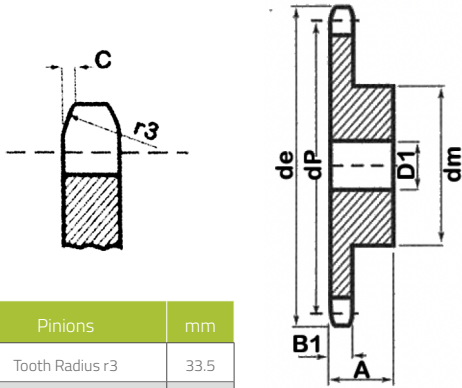


## 100-1 Sprocket



Pinions	mm
Tooth Radius r3	33.5
Radius Width C	4.0
Tooth Width B1	OA

Chain	mm
Pitch	31.75
Inside	19.05
Roller $\phi$	19.05

Teeth	de	dp	Simplex		
			dm	D1	A
9	108	92.84	63	20	40
10	117.9	102.74	70	20	40
11	127.8	112.68	77	20	45
12	137.8	122.68	88	20	45
13	147.8	132.65	98	20	45
14	157.8	142.68	108	20	45
15	167.9	152.72	118	20	45
16	177.9	162.75	120	25	50
17	187.9	172.78	120	25	50
18	198	182.85	120	25	50
19	208.1	198.91	120	25	50
20	218.1	202.98	120	25	50
21	228.2	213.04	140	25	55
22	238.3	223.11	140	25	55
23	248.3	233.17	140	25	55
24	258.4	243.23	140	25	55
25	268.5	253.33	140	25	55
26	278.6	263.4	OA	OA	OA
27	288.6	273.4	OA	OA	OA
28	298.7	283.56	OA	OA	OA
29	308.8	293.65	OA	OA	OA
30	318.9	303.75	OA	OA	OA
38	399.6	384.49	OA	OA	OA